

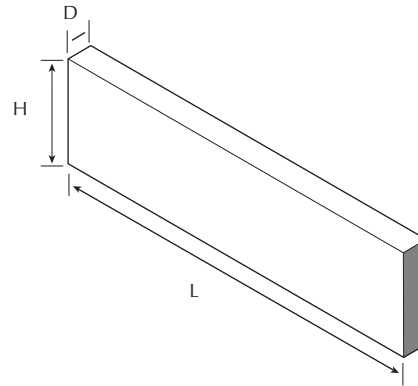
Commercial/Residential Brick - Dimensions, Weights and Coverage

Description	Depth (D)		Height (H)		Length (L)		Weights		Units/Ft ²		Packaging	
	in	mm	in	mm	in	mm	lbs.	kg.	Units/ft ²	Units/ft ²	Type	QTY
King	3	76	2 5/8	67	9 5/8	244	4.7	2.1	4.80	51.7	Cube	424
2 1/4" Modular	3 5/8	92	2 1/4	57	7 5/8	194	3.8	1.7	6.86	73.8	Cube	500
2 3/4" Modular	3 5/8	92	2 3/4	70	7 5/8	194	5.1	2.3	5.60	60.3	Cube	380
4" Modular	3 5/8	92	3 9/16	90	7 5/8	194	6.1	2.8	4.50	48.4	Cube	305
8" Modular	3 5/8	92	7 9/16	192	7 5/8	194	12.5	5.7	2.25	24.2	Pallet	128
2 1/4" Norman	3 5/8	92	2 1/4	57	11 5/8	295	5.5	2.5	4.47	48.1	Cube	300
4" Norman	3 5/8	92	3 9/16	90	11 5/8	295	8.7	4.0	3.00	32.3	Cube	183
2 1/4" Emperor®	3 5/8	92	2 1/4	57	15 5/8	397	8.9	4.0	2.76	29.7	Pallet	240
4" Emperor®	3 5/8	92	3 9/16	90	15 5/8	397	11.5	5.2	2.25	24.2	Pallet	160
8" Emperor®	3 5/8	92	7 9/16	192	15 5/8	397	23.0	10.5	1.13	12.1	Pallet	64

The Above Brick Manufactured by Interstate Brick comply with the following Specifications:

ASTM C216: Grade SW; Type FBA, FBS or FBX as specified in Purchase Order

CSA A82: Grade EG; Type A, S or X as specified in Purchase Order



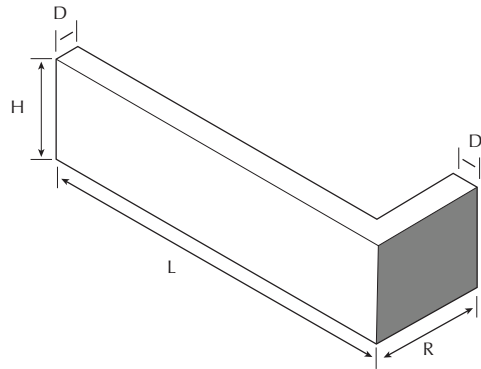
Thin Brick Flats - Dimensions, Weights and Coverage

Description	Depth (D)		Height (H)		Length (L)		Weights		Units/Ft2		Packaging	
	in	mm	in	mm	in	mm	lbs.	kg.	Units/ft2	Units/ft2	Type	QTY
King	Note 1	Note 1	2 5/8	67	9 5/8	244	1.0	0.5	4.80	51.7	Box	45
2 1/4" Modular	Note 1	Note 1	2 1/4	57	7 5/8	194	0.7	0.3	6.86	73.8	Box	50
2 3/4" Modular	Note 1	Note 1	2 3/4	70	7 5/8	194	0.8	0.4	5.60	60.3	Box	35
4" Modular	Note 1	Note 1	3 9/16	90	7 5/8	194	1.0	0.5	4.50	48.4	Box	38
2 1/4" Norman	Note 1	Note 1	2 1/4	57	11 5/8	295	1.2	0.5	4.47	48.1	Box	25
4" Norman	Note 1	Note 1	3 9/16	90	11 5/8	295	1.9	0.9	3.00	32.3	Box	25
2 1/4" Emperor®	Note 1	Note 1	2 1/4	57	15 5/8	397	1.6	0.7	2.76	29.7	Box	30
4" Emperor®	Note 1	Note 1	3 9/16	90	15 5/8	397	2.5	1.1	2.25	24.2	Box	19

The Above Brick Manufactured by Interstate Brick comply with the following Specifications:

ASTM C1088: Grade Exterior; Type TBA, TBS or TBX as specified in Purchase Order;
PCI Compliant on some thin brick products - inquire

Note 1: Product thickness is dependent on the manufacturing process used to produce the thin brick; face cut, split-tile, break-a-way, clusters, and ribbons have different thicknesses. Set thicknesses are 5/8"



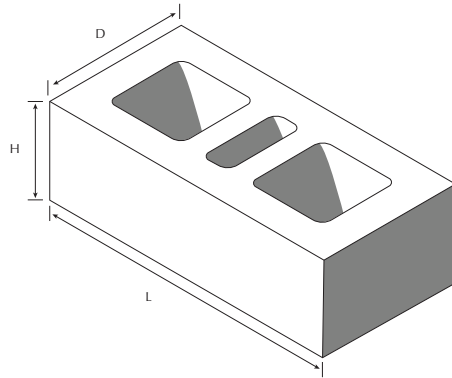
Thin Brick Corners - Dimensions, Weights and Coverage

Description	Depth (D)		Height (H)		Length (L)		Return (R)		Weights		Units/Ft2		Packaging	
	in	mm	in	mm	in	mm	in	mm	lbs.	kg.	Units/ft2	Units/ft2	Type	QTY
King	Note 1	Note 1	2 5/8	67	9 5/8	244	3	76	1.0	0.5	4.80	51.7	Pallet	500
2 1/4" Modular	Note 1	Note 1	2 1/4	57	7 5/8	194	3 5/8	92	0.7	0.3	6.86	73.8	Pallet	500
2 3/4" Modular	Note 1	Note 1	2 3/4	70	7 5/8	194	3 5/8	92	0.8	0.4	5.60	60.3	Pallet	500
4" Modular	Note 1	Note 1	3 9/16	90	7 5/8	194	3 5/8	92	1.0	0.5	4.50	48.4	Pallet	500
2 1/4" Norman	Note 1	Note 1	2 1/4	57	11 5/8	295	3 5/8	92	1.2	0.5	4.47	48.1	Pallet	400
4" Norman	Note 1	Note 1	3 9/16	90	11 5/8	295	3 5/8	92	1.9	0.9	3.00	32.3	Pallet	400
2 1/4" Emperor®	Note 1	Note 1	2 1/4	57	15 5/8	397	3 5/8	92	1.6	0.7	2.76	29.7	Pallet	400
4" Emperor®	Note 1	Note 1	3 9/16	90	15 5/8	397	3 5/8	92	2.5	1.1	2.25	24.2	Pallet	400

The Above Brick Manufactured by Interstate Brick comply with the following Specifications:

ASTM C1088: Grade Exterior; Type TBA, TBS or TBX as specified in Purchase Order;
PCI Compliant on some thin brick products - inquire

Note 1: Product thickness is dependent on the manufacturing process used to produce the thin brick; face cut, split-tile, break-a-way, clusters, and ribbons have different thicknesses. Set thicknesses are 5/8", 7/8" and 1" [nominal] (16mm, 22mm, and 25mm [nominal]) - inquire



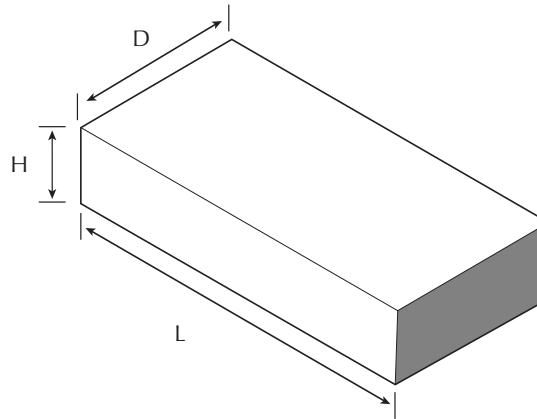
Atlas® Brick Dimensions, Weights and Coverage

Description	Depth (D)		Height (H)		Length (L)		Weights		Units/Ft ²		Packaging	
	in	mm	in	mm	in	mm	lbs.	kg.	Units/ft ²	Units/ft ²	Type	QTY
4 x 4 x 12 Atlas®	3 5/8	92	3 9/16	90	11 5/8	295	7.5	3.4	3	32.3	Pallet	207
4 x 2 1/4 x 16 Atlas®	3 5/8	92	2 1/4	57	15 5/8	397	7	3.2	3.4	36.6	Pallet	240
4 x 4 x 16 Atlas®	3 5/8	92	3 9/16	90	15 5/8	397	11	5.0	2.25	24.2	Pallet	160
4 x 8 x 16 Atlas®	3 5/8	92	7 9/16	192	15 5/8	397	21.5	9.8	1.125	12.1	Pallet	64
6 x 4 x 12 Atlas®	5 5/8	143	3 9/16	90	11 5/8	295	10	4.5	3	32.3	Pallet	120
6 x 2 1/4 x 16 Atlas®	5 5/8	143	2 1/4	57	15 5/8	397	10	4.5	3.4	36.6	Pallet	120
6 x 4 x 16 Atlas®	5 5/8	143	3 9/16	90	15 5/8	397	14.5	6.6	2.25	24.2	Pallet	100
6 x 8 x 16 Atlas®	5 5/8	143	7 9/16	192	15 5/8	397	34	15.5	1.125	12.1	Pallet	50
8 x 4 x 12 Atlas®	7 5/8	194	3 9/16	90	11 5/8	295	14	6.4	3	32.3	Pallet	100
8 x 2 1/4 x 16 Atlas®	7 5/8	194	2 1/4	57	15 5/8	397	12.7	5.8	3.4	36.6	Pallet	96
8 x 4 x 16 Atlas®	7 5/8	194	3 9/16	90	15 5/8	397	17.2	7.8	2.25	24.2	Pallet	80
8 x 8 x 16 Atlas®	7 5/8	194	7 9/16	192	15 5/8	397	39.2	17.8	1.125	12.1	Pallet	40
10 x 2 1/4 x 16 Atlas®	9 5/8	244	2 1/4	57	15 5/8	397	16.1	7.3	3.4	36.6	Pallet	72
10 x 4 x 16 Atlas®	9 5/8	244	3 9/16	90	15 5/8	397	22.3	10.1	2.25	24.2	Cube	60

The Above Brick Manufactured by Interstate Brick comply with the following Specifications:

ASTM C652: Grade SW; Type HBA, HBS or HBX as specified in Purchase Order

CSA A82: Grade EG; Type A, S or X as specified in Purchase Order



Paving Brick Dimensions, Weights and Coverage

Description	Depth (D)		Height (H)		Length (L)		Weights		Units/Ft ²		Packaging	
	in	mm	in	mm	in	mm	lbs.	kg.	Units/ft ²	Units/ft ²	Type	QTY
1 ¼ Split Modular Paver	3 ⅝	92	1 ¼	32	7 ⅝	194	2.3	1.0	4.5	48.4	Pallet	664
1 ¼ Split True Paver	4	102	1 ¼	32	8	203	2.7	1.2	4.5	48.4	Pallet	664
2 ¼ Modular Paver	3 ⅝	92	2 ¼	57	7 ⅝	194	4.2	1.9	4.5	48.4	Cube	500
2 ¼ True Paver	4	102	2 ¼	57	8	203	5.4	2.5	4.5	48.4	Cube	500
2 ⅝ Vehicular Mod Paver	3 ⅝	92	2 ⅝	67	7 ⅝	194	4.9	2.2	4.5	48.4	Cube	420
2 ⅝ Vehicular True Paver	4	102	2 ⅝	67	8	203	6.3	2.9	4.5	48.4	Cube	420

The Above Brick Manufactured by Interstate Brick comply with the following Specifications:

ASTM C652: Grade SW; Type HBA, HBS or HBX as specified in Purchase Order

CSA A82: Grade EG; Type A, S or X as specified in Purchase Order