

MAC

METAL ARCHITECTURAL



Installation Guide

POLYMAC PROFILES

PROTECTION

The material may have sharp edges. We recommend using protective equipment, including safety boots, a helmet, goggles, and gloves.



WARRANTY

FOR THE WARRANTY TO BE APPLICABLE, INSTALLATION MUST BE CARRIED OUT IN ACCORDANCE WITH THE STANDARDS SET OUT IN THE UPDATED BUILDING CODE, ALONG WITH THE MANUFACTURER'S RECOMMENDATIONS.

In the event that a problem occurs during the installation of the profiles, it's important to notify the supplier before the installation of 144 ft² (2 boxes), to make sure that the warranty will apply. Over 144 ft², the responsibility for the installation lies with the installer.

INSPECTION

When you receive your order, it is important to inspect the product immediately. If there are any issues with your order or if panels arrive damaged, you should inform your supplier as soon as possible.

HANDLING

Handle the box with care, ensuring to move it only vertically.



STORAGE

To keep the aesthetic and physical properties of MAC Metal Architectural Verssa & Metal Block metal siding intact, it is important to follow some basic rules for storage.

If the panels cannot be installed immediately upon delivery, store them indoors in a dry, well-ventilated area. Customers are responsible for the risks involved with storing panels outdoors. However, if the material must be stored outside, here are a few recommendations:

Place the panels in an area with no direct exposure to the sun or to extreme temperatures, as these factors may cause the protective coating to further adhere to the panels. This can make the coating more difficult to remove and may leave glue marks on the panels.

We also recommend using a tarp to protect the materials from temperature fluctuations.

PRODUCT TESTED

- Tested as per CAN/ULC-S135 for use in non-combustible constructions

INSTALLATION WARNING

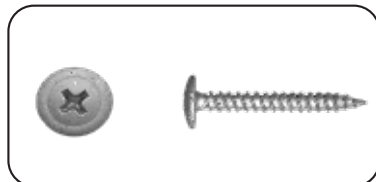
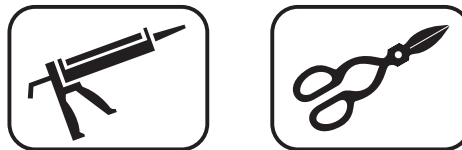
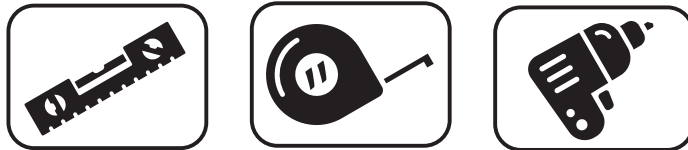


« R SHEATHING »

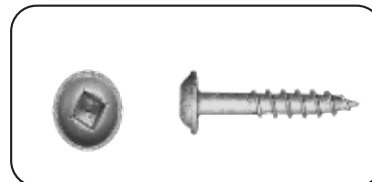
Installation of the MAC siding products on ZIP « R sheathing » panels and other dual composite panels with a softer material than wood is not recommended. This type of panel doesn't offer a good rigid mounting surface for MAC products and will allow for movement and deformation under varying weather and sun exposure transferring into oil canning.

1. OUTILS

To complete the work correctly, you will require a MAC Metal folding tool, a folding tool, a drill, and a pair of sheet cutters. You will also need a level, a tape measure and safety goggles. MAC Metal Architectural equipment is available at the MAC supplier nearest you.



MAC Metal Screw



MAC Wood Screw

2. ACCESSORIES

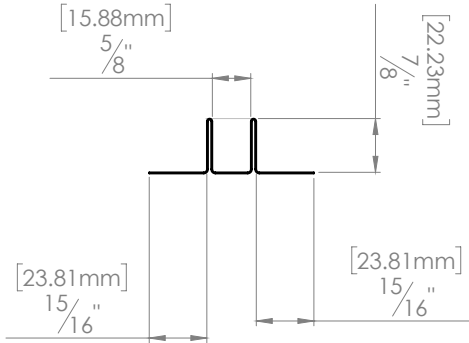
Here is the list of required accessories required for the installation of Versa and/or Metal Block profiles:

- MAC wood screws or metal screws depending on the type of project
- MAC Manual folding tool
- Flat roll*
- Moldings/Trims
- Sealer
- Anti-intrusion grid

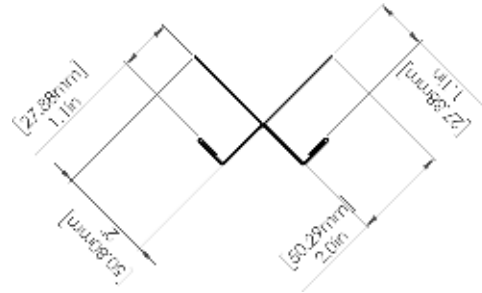
*Flat rolls can be provided by MAC for finishing work.

Molding & Trims Polymac

No. M15P (POLYMAC)
"U" Trim (fixation trim)



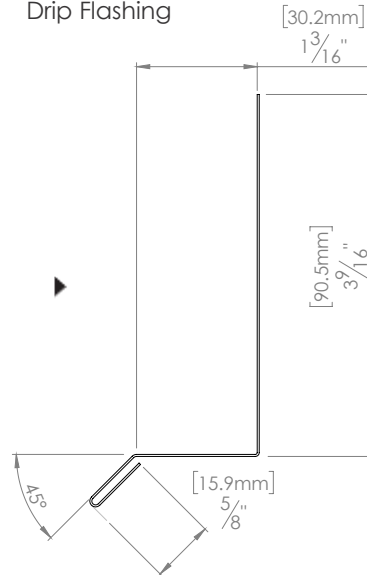
No. MXXP
"W" Trim



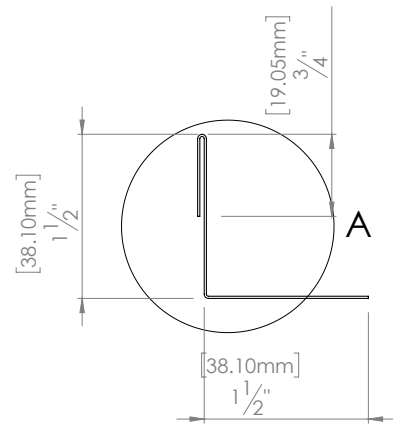
No. M10G
Starting Strip



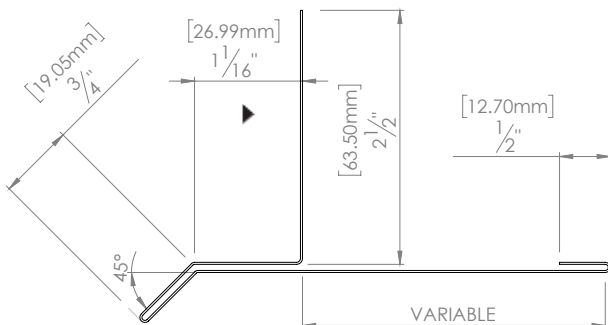
No. M50G
Drip Flashing



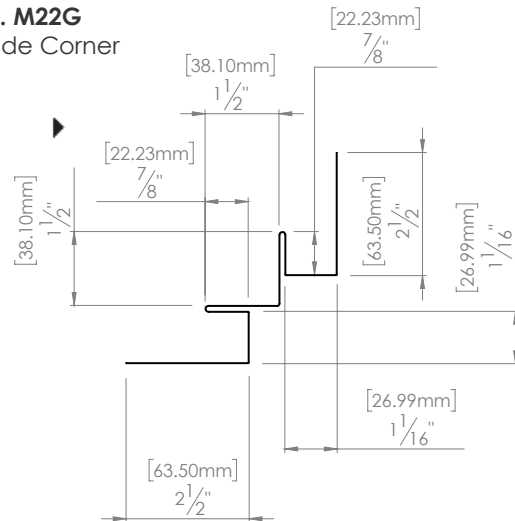
No. M14G
L Trim



No. M56G
Extended Drip Flashing w/variable



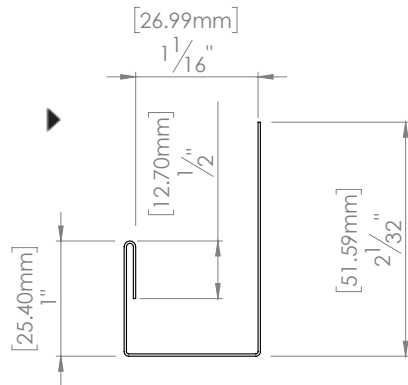
No. M22G
Inside Corner



Molding & Trims Polymac

No. M01G

J Trim



3. PREPARATION

Before beginning the first step, ensure that the construction of the surface to be covered with Versa/Metal Block siding complies with all current industry standards.

Please check with your local authorities regarding the installation of metal or wood furring. If they are not needed, then it's okay not to install them.

4. INSTALLATION

4.1. Preparing a wall

4.2 Furring and starter strip

Before any installation, we recommend that you calculate the width of the wall where you will install the panels in order to create, if you have not already done so, an installation pattern based on the dimensions of the panels and determine, if necessary, the columns that will need to have cut panels.

- a. It is strongly recommended to install wooden or steel purlins at a 45° angle every 12 inches centre to centre, which will ultimately give you 16 inches of centre to centre screwing.



- b. Once the purlins have been installed, use a laser level, chalk tracer or standard level to trace a guideline in the intended direction for installing the siding.



4. INSTALLATION

- C. Now place the starting strip 3" above where you will be starting your wall. As needed, use MAC ½" flat-head metal screws or MAC 1 1/8" flat-head wood screws. Secure it in place with a first screw. Once it is level, screw it in place.



**Make sure that the starter strip is level, as it will serve as a guide for you to the rest of the installation.

4.4 Transition molding (fastening)

- a. Starting from the outside corner, secure the transition mouldings in place (fastening), making sure to install the first one 11 inches from the outside corner of the building. You then need to allow for the following distances between the transition mouldings (fastening) 48 inches for 12 x 48 and 20 x 48 panels and 72 inches for 12 x 72 and 20 x 72 panels.



4.5 Installation of corner and opening moldings

- a. Measure all openings, then install J Trims on the two sides and the bottom of openings. And a drip cap above the project openings.



- b. First step in the installation of the inside corner, install an L-shaped moulding or a steel scrap folded at 90° on the inside corner.



4.6 Outside corner

- a. Insert the first outside corner panel in the starting moulding and the transition mouldings (fastening) then secure the panel in place using screws on the purlins.



- b. Then install the rest of the exterior corner panels to the end of the wall either by lining up with the laser if it is not the first row or with the spacers provided.



4.7 Panel Installation

Vertical column(first one)

- a. Insert the first panel into the starting moulding and the transition mouldings (fastening), then secure the panel in place using screws on the purlins.



- b. Then, install the rest of the panels of the same column at the extremity of the wall with the spacers that will serve as a guide for the distance to be tuned between your panels.



- c. Then to proceed with the installation of the other rows, taking care to install a laser guide on the facade line at the top of the strip to be installed vertically.



- d. Then install the panels horizontally following the line of the laser guide on the top facade line.



Inside corner :

- a. To finish the inside corner, all the panels of the first wall will have to be installed to the end of the wall and the panels of the adjacent wall will sit on top to create an overlap of panels.

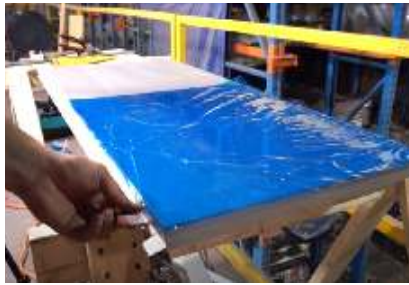


Vertical cut on a panel

- a. If a panel needs to be cut, measure the transition moulding (fastening) up to the inside corner or a J Trim, then cut the panel.

4.8.1 Manual Folding after Vertical Cutting of a Panel

- a. In the situation that you have to cut the panel vertically and then recreate a company fold that will be seen and not hidden in the J-trim.
- b. Measure between two mouldings
- c. Trace this same measurement on the panel and measure an extra inch that will be folded by the folding machine.
- d. On the other hand, the male and female must be cut to the size you need in front of your panel.
- e. Remove 1 1/2'' of your styrofoam to allow the folder to pass through.
- f. Cut the panel with steel wishbones or a metal shear
- g. Place the panel in the folding machine and raise the arm to fold it into place.



5. Horizontal cut (end of wall)

- a. In the event that a horizontal cut of a panel is required at the end of the wall, take the measurement between the roof truss and the previous panel. Remove $\frac{1}{2}$ " to the measurement for the spacing between panels. This will give you the measurement for your final panel.



- b. Once all the end-of-wall panels are installed, secure the panels by installing a J Trim on the roof truss





For more information on the installation of Polymac profiles, visit the PRO section of our website, MACmetalarchitectural.com. You will find a bank of technical information on the profile such as a series of installation videos, molding booklets and access to technical drawings.



MAC Metal Architectural
3099, Bernard-Pilon (Quebec) J3G 4S5
T. 450 464-5486 | T. F. 450 464-4538
info@MACmetalarchitectural.com
MACmetalarchitectural.com