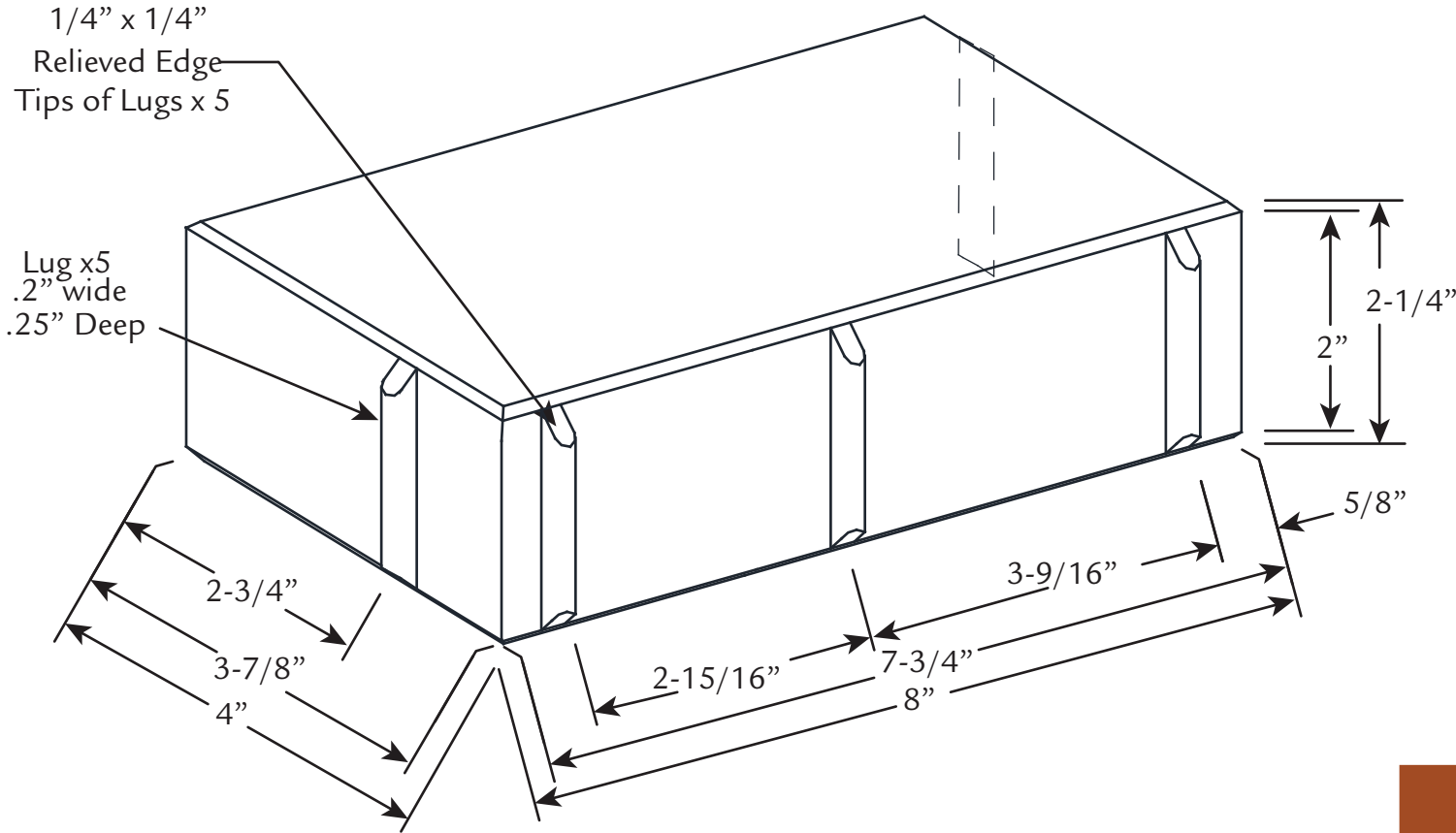


# 2-1/4X4X8 PERMEABLE PAVER



NOT ALL PRODUCTS ARE AVAILABLE IN ALL COLORS AND/OR SIZE. PLEASE CONTACT ENDICOTT FOR AVAILABILITY.

ENDICOTT PERMEABLE PAVERS CONFORM TO ASTM C902 SPECIFICATIONS, 2-5/8" THICK UNITS CONFORM TO ASTM C902 & C1272 SPECIFICATIONS.

