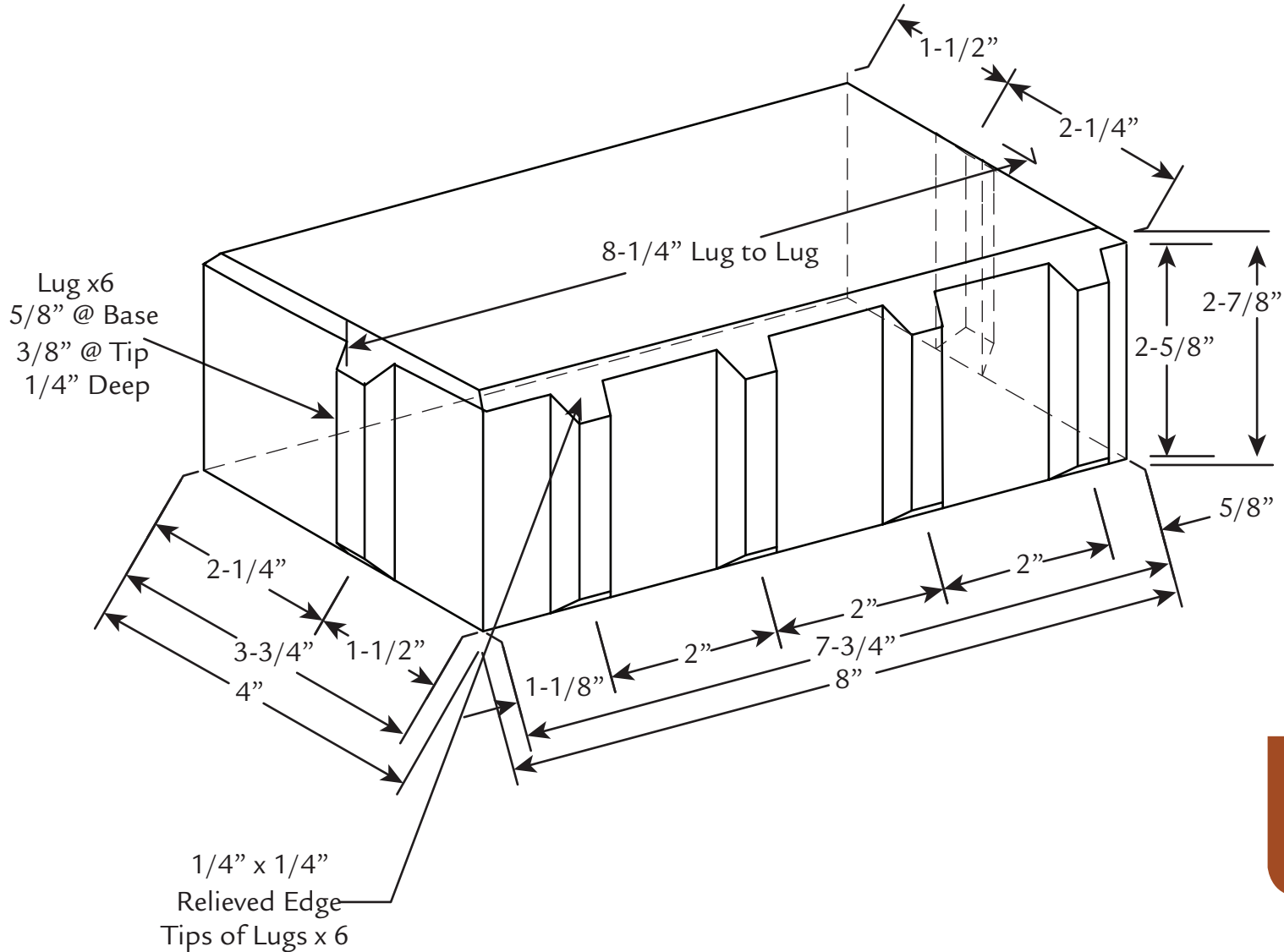


2-5/8X4X8 PERMEABLE PAVER



NOT ALL PRODUCTS ARE AVAILABLE IN ALL COLORS AND/OR SIZE. PLEASE CONTACT ENDICOTT FOR AVAILABILITY.

ENDICOTT 2-5/8" PERMEABLE PAVERS CONFORM TO ASTM C902 & C1272 SPECIFICATIONS.

